



Vehicle View IR Camera



NEW 2012 FEB. V1.0



Mobile Surveillance **AVM-351**

- 1/3" CMOS
- High Horizontal Resolution Max. 420 TV Lines
- Lens Mount: 4mm
- Waterproof.
- 6PCS LEDS, Good Night Time Image, IR Distance 3M

AVM-351 Vehicle View IR Camera

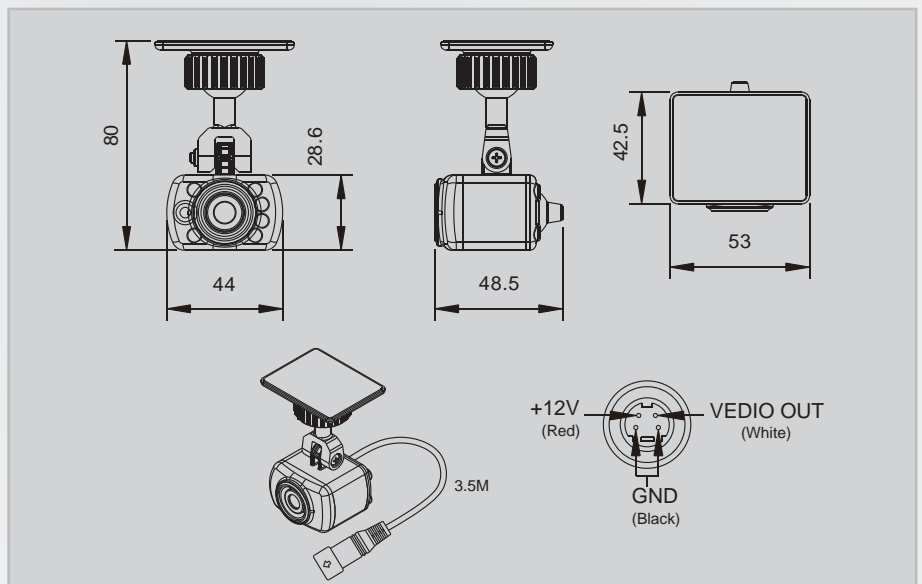


SPECIFICATIONS

VIDEO SYSTEM	NTSC	PAL
PICK UP ELEMENT	1/4" CMOS	1/3" CMOS
LENS	4mm LENS	
NUMBER OF PIXEL	640 (H) x 480 (V)	640 (H) x 576 (V)
PICTURE ELEMENTS	APPROXIMATELY 300K	APPROXIMATELY 370K
HORIZONTAL RESOLUTION	420 TV LINES	
POWER SUPPLY	DC 12 ± 1V (50mA)	
CURRENT CONSUMPTION	50mA(IR OFF) / 120mA(IR ON)	
SYNCHRONIZATION	INTERNAL	
SCANNING SYSTEM	2 : 1 INTERLACE	
SENSITIVITY	0.1 LUX(IR ON)	
S/N RATIO	Max 45 dB	
AUTO GAIN CONTROL	YES	
Dynamic Range	65 dB	
WHITE BALANCE	AUTO	
ELECTRONIC SHUTTER	Automatic Exposure	
OUTPUT	1 Vp-p COMPOSITE VIDEO OUTPUT, 75 OHMS	
IR LEDs	6 PCS	
IR RANGE	3m	
WEATHERPROOF STANDER	IP66	
OPERATING TEMPERATURE	- 10°C ~ +60°C	
DIMENSIONS	44mmx80mmx48.5mm (WxDxH)	
WEIGHT	About 170g (N.W)	

★Version updating is not going to inform, please check the on-going updating information

DIMENSION unit: mm



■ DISTRIBUTED BY

